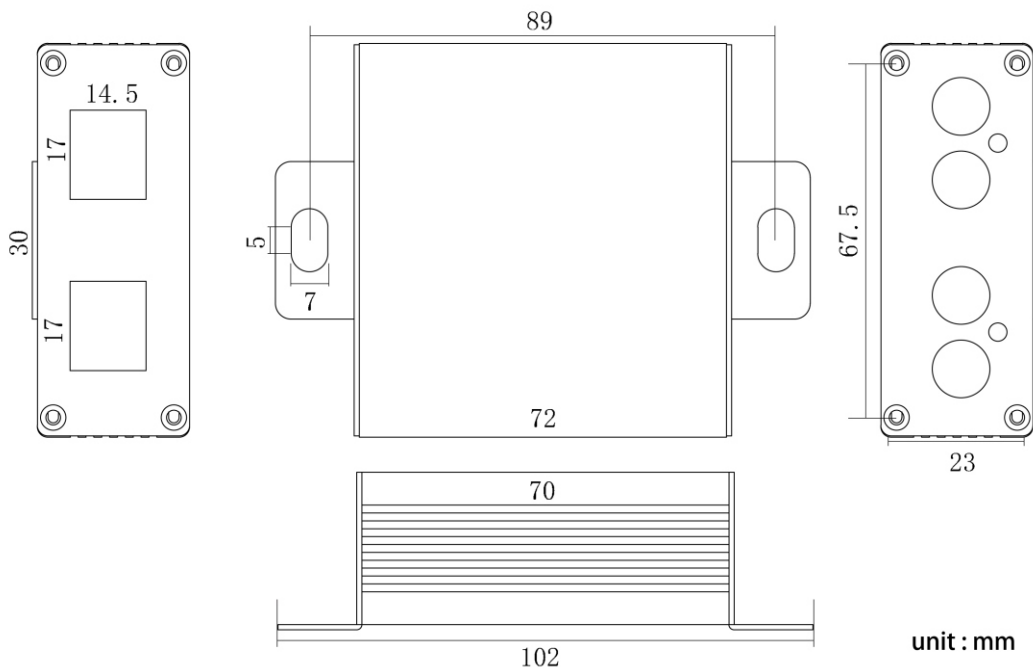
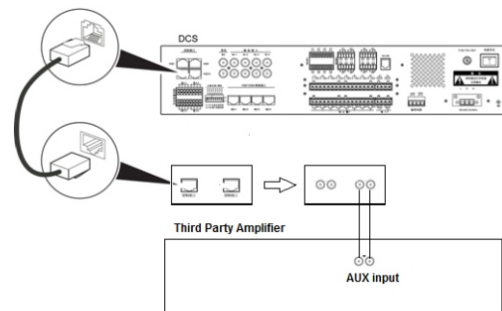


HN-RTR Input/output Interface Module

- Easy to use – simple plug in/out design
- Two RJ45 inputs and four RCA outputs
- Metal enclosure with rack mount handle
- Black finish



HN-RTR is an audio input/output converter that provides two RJ45 inputs and four RCA outputs. It allows ordinary analog amplifiers to interface with X-DCS2000/EN which only provides RJ45 interface conversion.



Honeywell Audiovisuals

No. 257, Junye Road
Guangzhou GETDD East
510530 China
Tel: +86 20 2839 9600
Fax: +86 20 2820 8706
www.honeywellav.com

1013702032_EN1.2

Apr 2014

©2014 Honeywell International Inc.