

## L-PCM06A 5" Metal Ceiling Loudspeaker

### FEATURES

- Clear and stereo audio performance with dual-cone speakers
- Cone with gasket designed for longer operation life
- Sturdy press fit metal grille appearance
- Higher sensitivity
- Simple power setting
- Excellent crash and rust resistant performance
- Flush-mounting system for fast and easy installation
- CE and RoHS complied



### PRODUCT DESCRIPTION

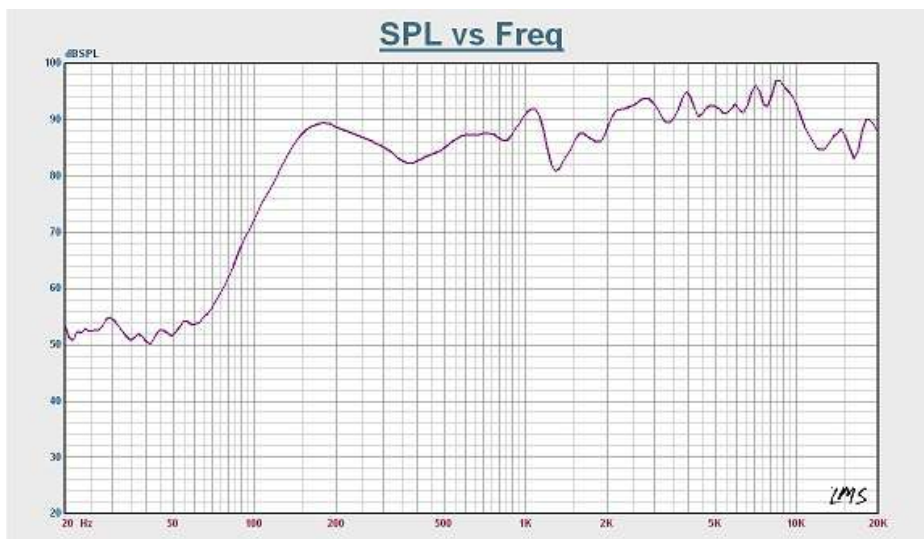
L-PCM06A is a cost-competitive ceiling loudspeaker which has an excellent audio performance and aesthetic appealing enclosure. This full range loudspeaker features a high sound pressure level and a wide frequency response range. It is intended for use in verbal and music public address system where high quality sound

and wide exterior compatibility are desired. L-PCM06A has a built-in 6W dual-cone speaker and a 100V matching transformer mounted on the back. The round metal front grille is well fitted in the front. The loudspeaker is CE and RoHS complied.

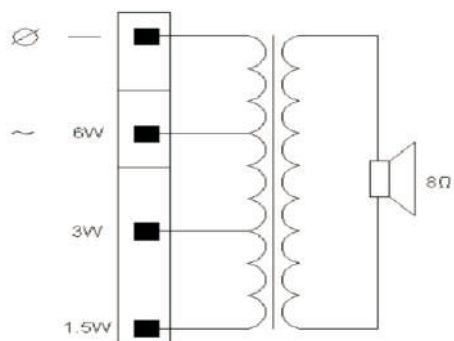
### TECHNICAL SPECIFICATIONS

Model	L-PCM06A
Max power	9 W
Rated power	6 W
Power taps @ 100V	6 W / 3 W / 1.5 W
Power taps @ 70V	3 W / 1.5 W / 0.75 W
SPL at 6W / 1W (150Hz-20kHz, 1m)	96 dB / 90 dB
Frequency response (- 10 dB)	120 Hz - 20k Hz
Dispersion angle (1k Hz / -6 dB)	160°
Rated input voltage	100 V / 70 V
Rated impedance	1.7k $\Omega$ / 3.3k $\Omega$ / 6.7k $\Omega$
Connector	Plastic terminal blocks
Dimensions ( $\Phi$ × H)	$\Phi$ 180 mm × 55 mm
Hole cut-out size	150 mm
Diameter of speaker	5"
Weight	0.7 kg
Color	White (RAL9003)
Weight of magnet	117 g

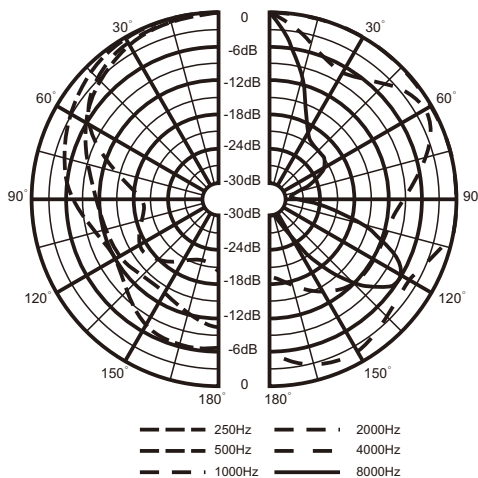
# FREQUENCY RESPONSE



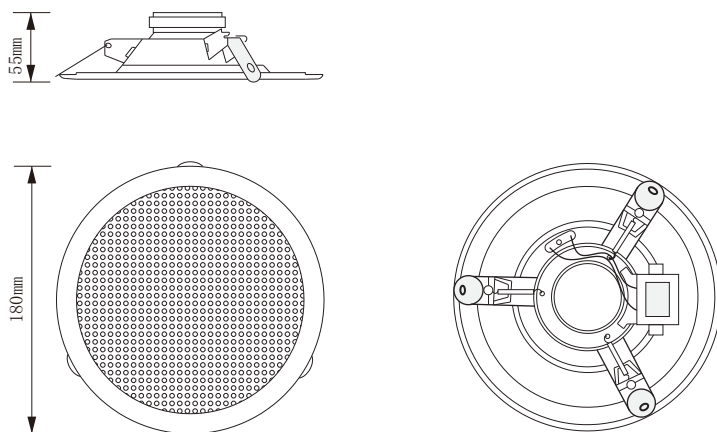
# CIRCUIT DIAGRAM



# POLAR DIAGRAM



# THREE-VIEW DIAGRAM



**Honeywell Audiovisuals**

2100040585\_EN2.4

Oct 2014

© 2014 Honeywell International Inc.

[www.honeywellav.com](http://www.honeywellav.com)

