

L-PCM06B Ceiling Loudspeaker

FEATURES

- Clear and stereo audio performance
- Cone edge with damp glue for longer operation life
- Sturdy press fit metal grille appearance
- Simple power setting
- Flush-mounting system for fast and easy installation
- CE and RoHS compliant



PRODUCT DESCRIPTION

L-PCM06B is a cost-competitive ceiling loudspeaker which has an excellent audio performance and aesthetic appealing enclosure. Its low-profile, white color design blends easily most interiors in locations such as hotels, warehouses, schools, office buildings, stadiums and restaurants.

This full rang loudspeaker features a

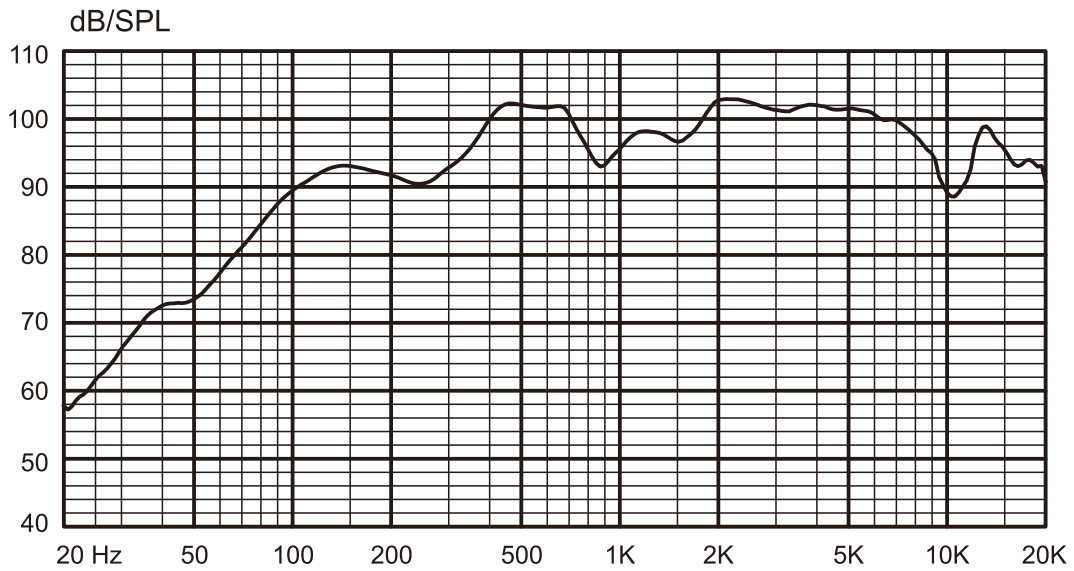
high sound pressure level and a wide frequency response range. It has a built-in 6W integrative-cone speaker and a 100V matching transformer mounted back dome, Supplied with a metal back dome, the components inside are well protected in case of emergency.

It is CE and RoHS compliant.

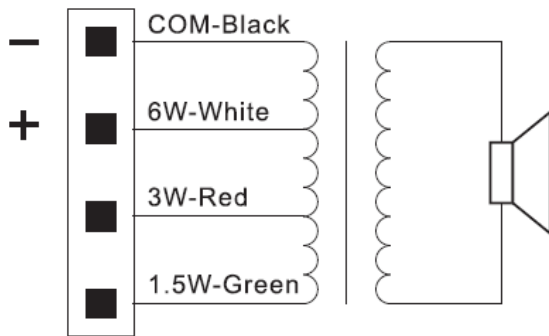
TECHNICAL SPECIFICATIONS

| Model | L-PCM06B |
|------------------------------------|------------------------|
| Max power | 9 W |
| Rated power | 6 W |
| Power taps @ 100 V | 6 W / 3W / 1.5 W |
| SPL at 6W / 1W (4 KHz, 1m) | 102 dB / 94 dB |
| Frequency response (- 10 dB) | 110 Hz - 18 KHz |
| Dispersion angle (1 KHz / -6 dB) | 180° |
| Rated input voltage | 100 V / 70 V |
| Rated impedance | 1.7 KΩ / 3.3 KΩ |
| Connector | Push-in terminal block |
| Dimensions (Φ × H) | Φ 200 × 100 mm |
| Hole cut-out size | Φ 175 mm |
| Weight | 1.08 Kg |
| Color | White (RAL 9003) |
| Speaker size | 6.5" |
| Operating temperature | -25 °C to + 55 °C |
| Storage temperature | -40 °C to + 70 °C |
| Relative humidity | < 95 % |

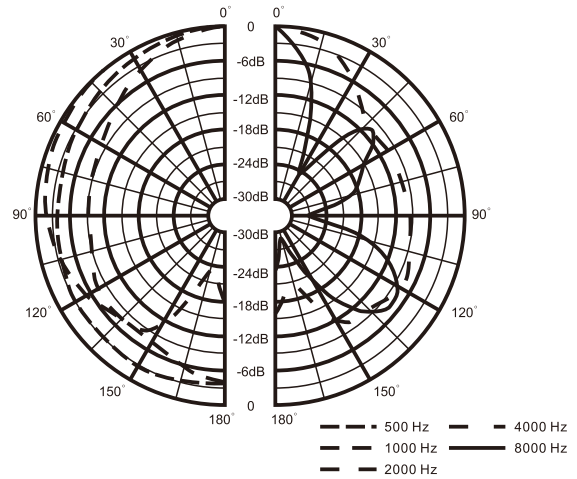
FREQUENCY RESPONSE



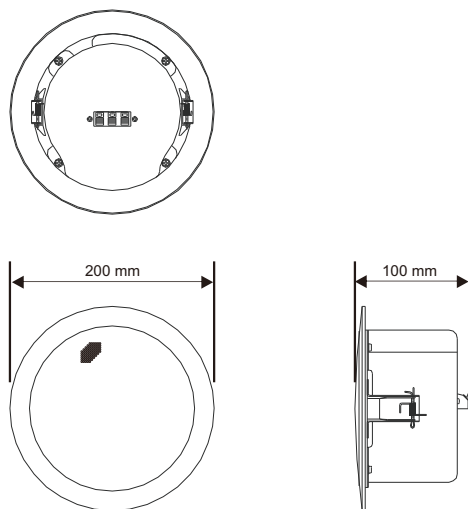
CIRCUIT DIAGRAM



POLAR DIAGRAM



THREE-VIEW DIAGRAM



Honeywell Audiovisuals

No. 257, Junye Road
 Guangzhou GETDD East
 510530 China
 Tel: +86 20 2839 9600
 Fax: +86 20 2820 8706
 www.honeywellav.com

1020903003_EN2.5
 Dec 2012
 © 2012 Honeywell International Inc.

Honeywell