

## L-PCP06A Ceiling Loudspeaker

### FEATURES

- Clear and intelligible audio performance
- Cone with gasket designed for longer operation life
- Stylish and unobtrusive design
- Simple power setting
- Compact and high strength fire resistant ABS plastic
- Flush-mounting system for fast and easy installation
- Environment friendly
- CE and RoHS compliant



### PRODUCT DESCRIPTION

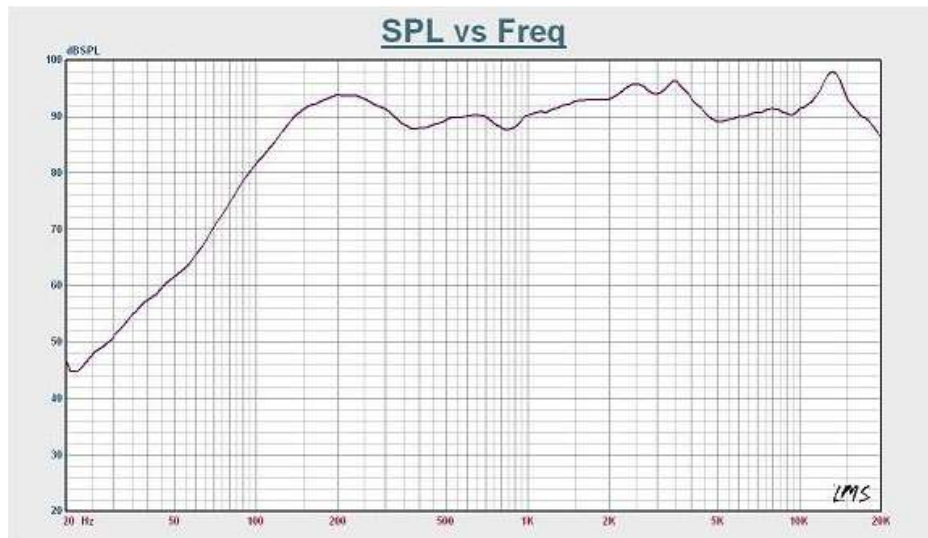
L-PCP06A is a cost-competitive ceiling loudspeaker with 6W power handling intended for general purpose applications. This full range loudspeaker is an ideal choice for excellent speech and music reproduction used in shopping malls, supermarkets, educational institutes, office buildings, sport fields, hotels and restaurants. The loudspeaker is equipped

with a 6W dual-cone speaker and a 100V matching transformer mounted on the back. It can be clamp mounted with the provided gasket into the ceiling. The appealing and innovative design is finished in neutral white color where it can fit in any indoor applications. The loudspeaker is CE and RoHS compliant.

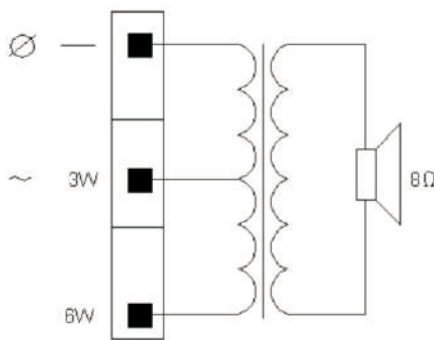
### TECHNICAL SPECIFICATIONS

Model	L-PCP06A
Max power	9 W
Rated power	6 W
Power taps @ 100V	6 W / 3 W
Power taps @ 70V	3 W / 1.5 W
SPL at 6W / 1W ( 4k Hz, 1m)	98 dB / 92 dB
Frequency response ( - 10 dB )	190 Hz - 20k Hz
Dispersion angle ( 1k Hz / -6 dB )	150°
Rated input voltage	100 V / 70 V
Rated impedance	1.7k $\Omega$ / 3.3k $\Omega$
Connector	Push terminal
Dimensions ( $\Phi$ $\times$ H )	$\Phi$ 103 mm $\times$ 80 mm
Hole cut-out size	95 mm
Diameter of speaker	2.5"
Weight	420 g
Color	White ( RAL9003 )
Weight of magnet	93 g

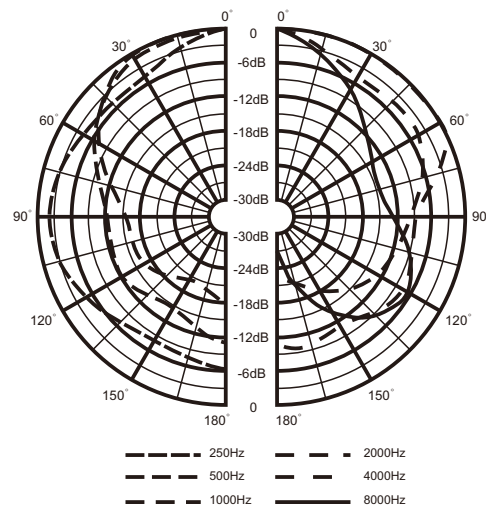
## FREQUENCY RESPONSE



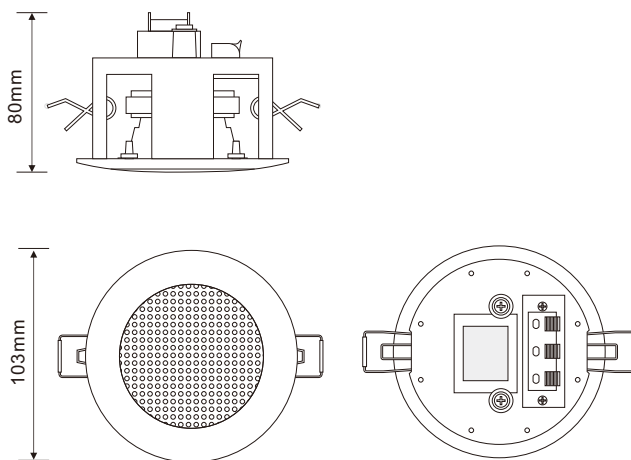
## CIRCUIT DIAGRAM



## POLAR DIAGRAM



## THREE-VIEW DIAGRAM



## Honeywell Audiovisuals

No. 257, Junye Road  
 Guangzhou GETDD East  
 510530 China  
 Tel: +86 20 2839 9600  
 Fax: +86 20 2820 8706  
 www.honeywellav.com

2100040586\_EN2.4  
 Nov 2012  
 © 2012 Honeywell International Inc.

**Honeywell**