

L-PCP06B

Ceiling Loudspeaker

FEATURES

- Extraordinary audio and music reproduction
- Higher sensitivity
- Easy installation and cost effective
- Simple power operation
- Excellent anti-crush performance
- High strength fire resistant ABS plastic
- CE and RoHS compliant



PRODUCT DESCRIPTION

L-PCP06B is a cost-competitive ceiling loudspeaker that delivers high intelligibility sound in an aesthetic appealing enclosure. Featuring a higher sound pressure level and wider frequency response range, the full range speaker ensures an excellent audio performance within the frequency response range. It is intended for use in environments such as warehouses, schools, office buildings, hotels and canteens. The 6W dual-cone speaker and the 100V matching transformer mounted on the back

guarantee an excellent audio and music reproduction. Its sturdy mechanical design protects the product from vibration and force distortion. Clamp on the back box is for flush installation. Screw terminals or push-in style terminals attached on the speaker provide ease of cable connection. The low profile yet modern design finished in neutral white color is suitable for any kinds of indoor applications. The loudspeaker is CE and RoHS compliant.

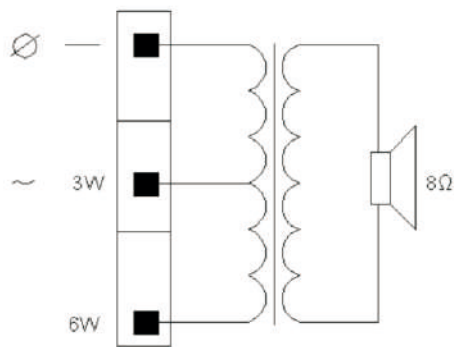
TECHNICAL SPECIFICATIONS

| Model | L-PCP06B |
|------------------------------------|-------------------------------|
| Max power | 9 W |
| Rated power | 6 W |
| Power taps @ 100V | 6 W / 3 W |
| Power taps @ 70V | 3 W / 1.5 W |
| SPL at 6W / 1W (4k Hz, 1m) | 98 dB / 92 dB |
| Frequency response (- 10 dB) | 110 Hz - 18k Hz |
| Dispersion angle (1k Hz / -6 dB) | 150° |
| Rated input voltage | 100 V / 70 V |
| Rated impedance | 1.7k Ω / 3.3k Ω |
| Connector | Plastic terminal blocks |
| Dimensions (Φ × H) | Φ 188 mm × 75 mm |
| Hole cut-out size | Φ 175 mm |
| Diameter of speaker | 5.5" |
| Weight | 0.77 kg |
| Color | White (RAL9003) |
| Weight of magnet | 152 g |

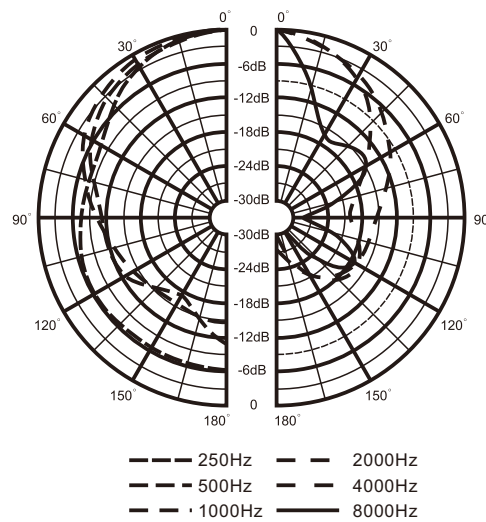
FREQUENCY RESPONSE



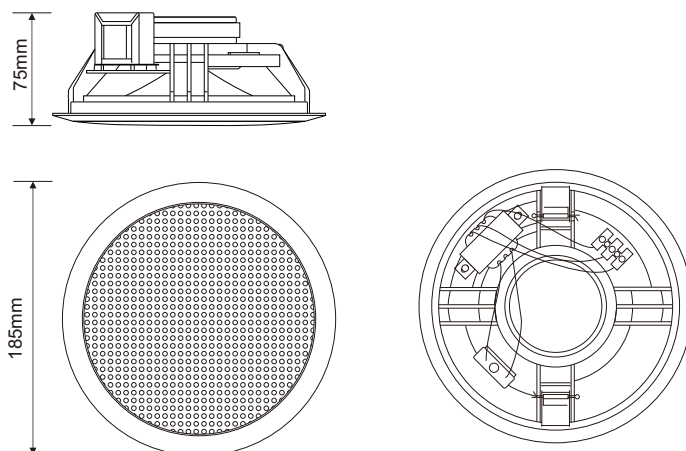
CIRCUIT DIAGRAM



POLAR DIAGRAM



THREE-VIEW DIAGRAM



Honeywell Audiovisuals

No. 257, Junye Road
Guangzhou GETDD East
510530 China

Tel: +86 20 2839 9600
Fax: +86 20 2820 8706
www.honeywellav.com

2100040591_EN2.4
Nov 2012

© 2012 Honeywell International Inc.

Honeywell