

L-PCP06C Ceiling Loudspeaker

FEATURES

- Clear and intelligible audio performance
- Stylish and unobtrusive design
- Simple power setting
- Flush-mounting system for fast and easy installation
- Compliant with IP54 standard with great water-proof ability
- Environment friendly
- CE and RoHS compliant



PRODUCT DESCRIPTION

L-PCP06C is a water-proof 6W ceiling loudspeaker. Its low-profile, white color design blends easily with most interiors in many locations. This full range loudspeaker features a high sound pressure level and a wide frequency response range with the integrative-cone. The complex edge and damping affect guarantee a longer operation life.

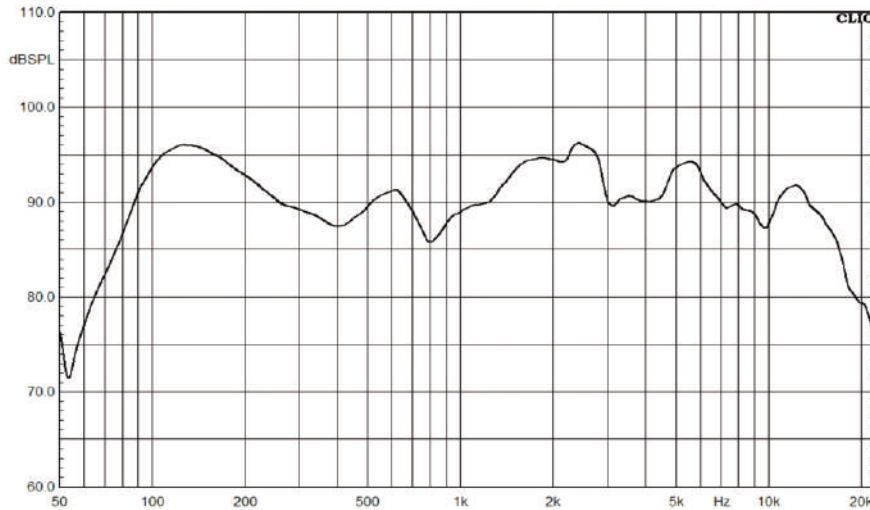
It has a 100V transformer on the back, making it easy to switch the rated power between 100V and 70V.

L-PCP06C is compliant with IP54 standard. Its great water-proof ability make it the best choice for wet environment such as bathroom and swimming pool .

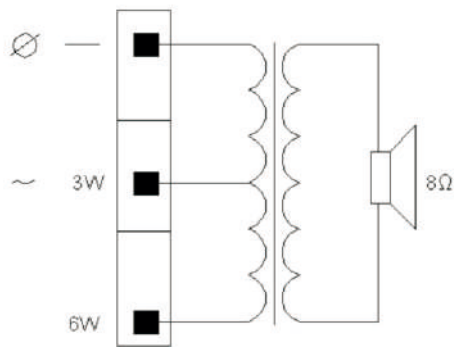
TECHNICAL SPECIFICATIONS

Model	L-PCP06C
Max power	9 W
Rated power	6 W
Power taps @ 100 V	6 W / 3 W / 1.5 W
SPL at 6W / 1W (4 KHz, 1m)	98 dB / 92 dB
Frequency response (- 10 dB)	100 Hz - 18 KHz
Dispersion angle (1 KHz / -6 dB)	150°
Rated input voltage	100 V / 70 V
Rated impedance	1.7 KΩ / 3.3 KΩ / 6.7 KΩ
Connector	Plastic terminal blocks
Dimensions (Φ × H)	Φ 188 × 75 mm
Hole cut-out size	Φ 170 mm
Speaker size	5.5"
Weight	0.77 Kg
Operating temperature	-25 °C to + 55 °C
Storage temperature	-40 °C to + 70 °C
Relative humidity	< 95 %

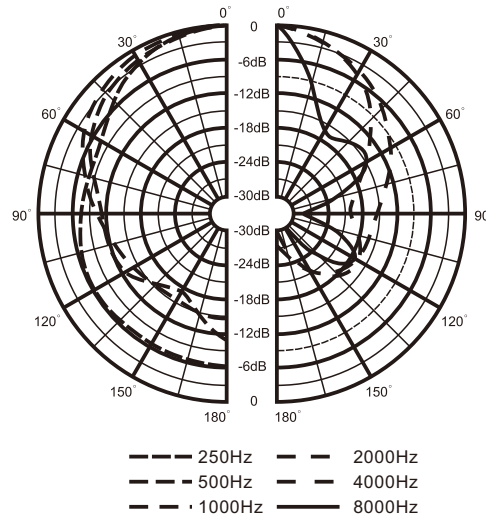
FREQUENCY RESPONSE



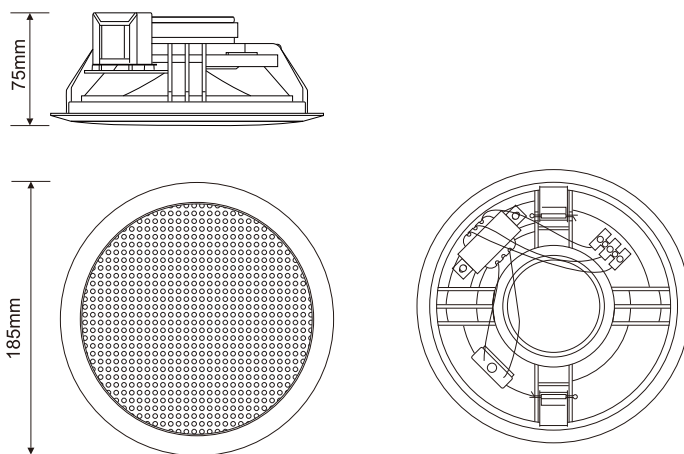
CIRCUIT DIAGRAM



POLAR DIAGRAM



THREE-VIEW DIAGRAM



Honeywell Audiovisuals

No. 257, Junye Road
Guangzhou GETDD East
510530 China
Tel: +86 20 2839 9600
Fax: +86 20 2820 8706
www.honeywellav.com

2100040591_EN2.3
Nov 2012
© 2012 Honeywell International Inc.

Honeywell