

L-PJP20A Projection Loudspeaker

FEATURES

- Multi-Purpose cone speaker that ensures powerful and intelligible audio performance
- Stylish and unobtrusive design
- High impact and fire resistant ABS enclosure
- Completely water resistant
- Easy installation and cost effective
- CE and RoHS compliant



PRODUCT DESCRIPTION

L-PJP20A is 20W unidirectional loudspeaker, which has a sturdy aluminum enclosure finished in unobtrusive white color. The innovative design together with the strong front ABS provide a strong anti rust and aesthetic appealing. Structure Multi-purpose cone enables the loudspeaker to deliver high quality sounds and excellent music reproduction. It is suitable for a wide scope of outdoor applications. Equipped

with high linearity anti-fatigue rubber, the bass audio performance is free from distortion due to prolonged low-frequency operation. The projection design is intended for use in public address applications such as corridors, shopping aisles etc. The sound projector has provision inside for mounting an optional line/loudspeaker supervision board. The loudspeaker is CE and RoHS compliant.

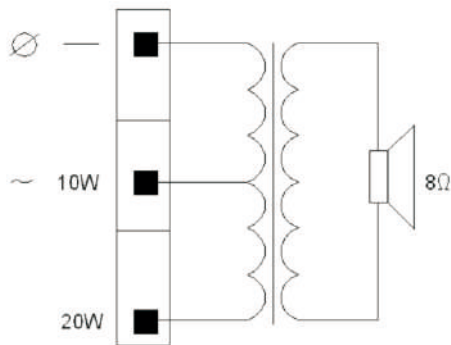
TECHNICAL SPECIFICATIONS

Model	L-PJP20A
Max power	30 W
Rated power	20 W
Power taps @ 100V	20 W / 10 W
Power taps @ 70V	10 W / 5 W
SPL at 6W / 1W (4k Hz, 1m)	112 dB / 92 dB
Frequency response (- 10 dB)	100 Hz - 15k Hz
Dispersion angle (1k Hz / -6 dB)	120°
Rated input voltage	100 V / 70 V
Rated impedance	500 Ω / 1 KΩ
Connector	Cable
Dimensions (D × L)	Φ 180mm × 230 mm
Weight	2.1 kg
Color	White (RAL9010)
Material	ABS

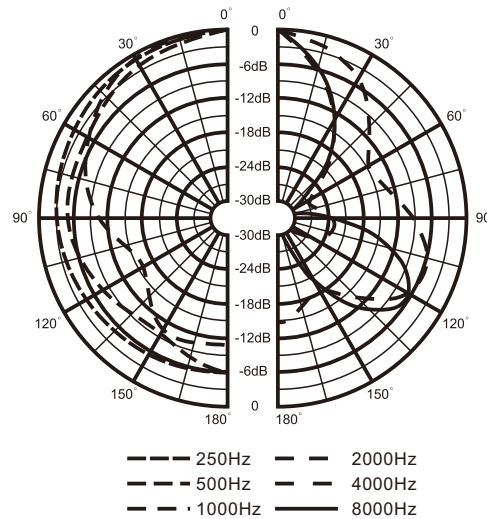
FREQUENCY RESPONSE



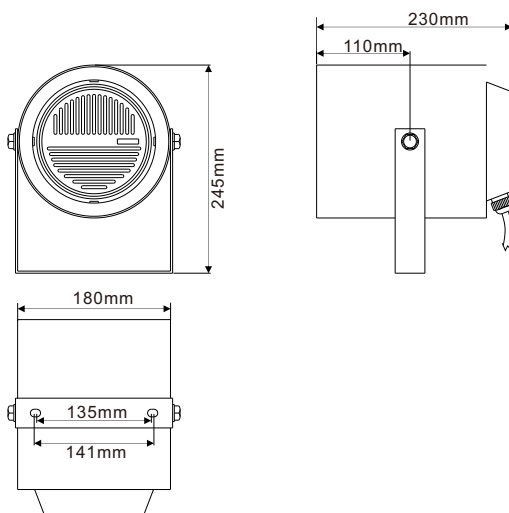
CIRCUIT DIAGRAM



POLAR DIAGRAM



THREE-VIEW DIAGRAM



Honeywell Audiovisuals

No. 257, Junye Road
 Guangzhou GETDD East
 510530 China
 Tel: +86 20 2839 9600
 Fax: +86 20 2820 8706
 www.honeywellav.com

2100040588_EN2.1
 Nov 2012
 © 2012 Honeywell International Inc.

Honeywell