

## L-POM40A Column Loudspeaker

### FEATURES

- Intelligible voice and superior sound reproduction
- Robust aluminum housing
- Supplied with universal swivel bracket for easy angle adjustment
- Adjustable 70V and 100V inputs
- Applicable to extreme environment
- Complies with IP66 standard
- CE and RoHS compliant



### PRODUCT DESCRIPTION

L-POM40A is a high-performance 40W public address column loudspeaker for outdoor use. It provides a broad frequency response range, low distortion and high sound pressure level for accurate and intelligible broadcasts of evacuation messages and high quality sound reproduction. Its low-profile, white color design blends easily with most interiors in locations such as hotels, conference rooms, cinemas, theme parks, factories and exhibitions.

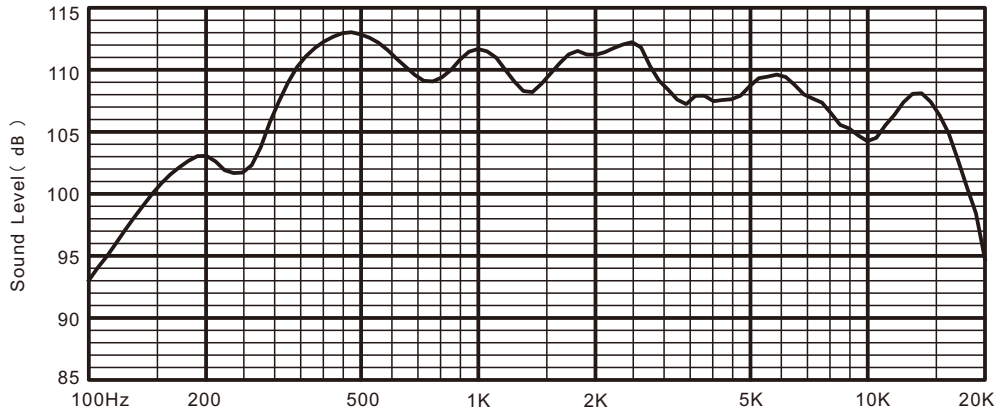
In case of a fire emergency, its aluminum

enclosure and high-temperature ceramic wiring connector protect the speaker's internal components from the increased heat often present in fire conditions, extending its ability to remain operational and broadcast important information during a fire emergency. In addition, the loudspeaker's swivel bracket is also made of aluminum, making them durable and corrosion proof. The loudspeaker is also supplied with a temperature fuse that protects it from overheating due to improper loading.

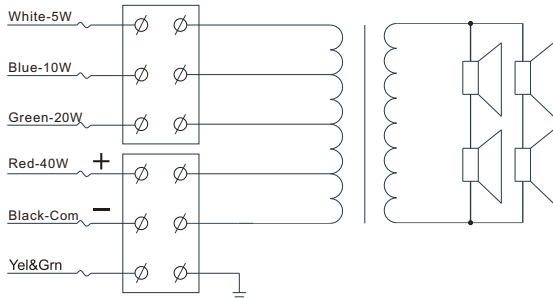
### TECHNICAL SPECIFICATIONS

Model	L-POM40A
Max power	60 W
Rated power	40 W (10W × 4)
Power taps @ 100V	40 W / 20 W / 10 W / 5 W
SPL at 40 W / 1W (1KHz, 1m)	111 dB / 95 dB
Frequency response ( - 10 dB )	300 Hz - 15 KHz
Dispersion angle ( 1KHz / -6 dB )	150°
Rated input voltage	100 V / 70 V
Rated impedance	250 Ω / 500 Ω / 1 KΩ / 2 KΩ
Connector	Fire-resistant cable
Dimensions ( W × H × D )	165 × 150 × 568 mm
Weight	5.75 Kg
Color	White( RAL9003 )
Speaker size	4" × 4
Operating temperature	-25 °C to + 55 °C
Storage temperature	-40 °C to + 70 °C
Relative humidity	< 95 %

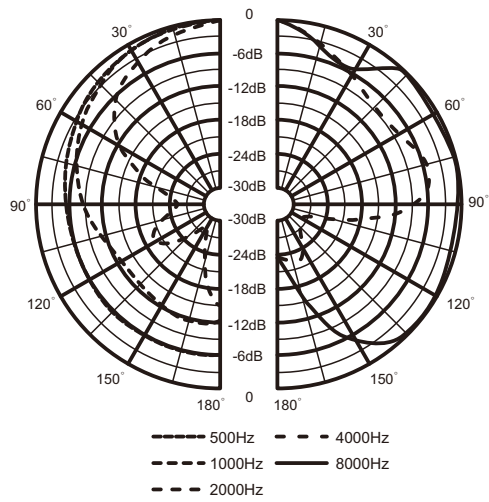
## FREQUENCY RESPONSE



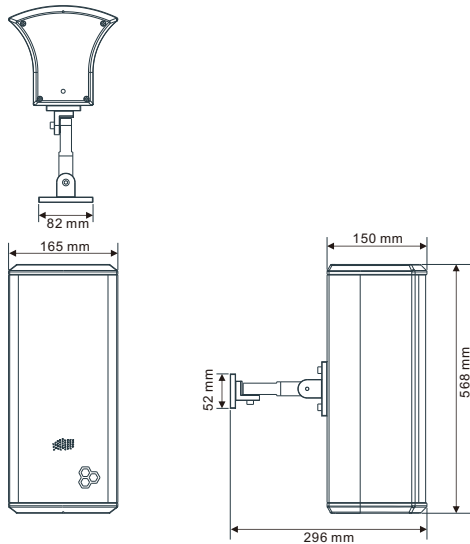
## CIRCUIT DIAGRAM



## POLAR DIAGRAM



## THREE-VIEW DIAGRAM



### Honeywell Audiovisuals

No. 257, Junye Road  
 Guangzhou GETDD East  
 510530 China  
 Tel: +86 20 2839 9600  
 Fax: +86 20 2820 8706  
 www.honeywellav.com

1020902010\_EN2.3  
 Nov 2012  
 © 2012 Honeywell International Inc.

**Honeywell**