

L-PWP60A ABS Full Range Cabinet

FEATURES

- Water-proof cone
- Powerful and lucid audio performance
- Suitable in humid condition
- Stylish design
- Simple power setting
- High strength and fire resistant ABS enclosure
- Easy installation and cost effective
- CE and RoHS complied



PRODUCT DESCRIPTION

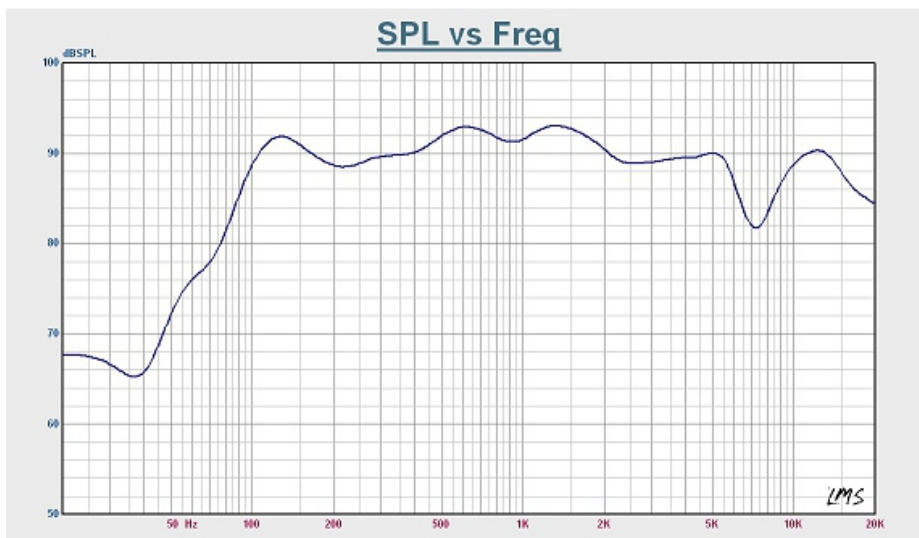
L-PWP60A is a versatile, 60W cabinet loudspeaker intended for use in general indoor applications. The loudspeaker is ideal for use in theme bars, music restaurants, groceries, video shops, meeting rooms, office buildings, exhibition halls, gyms, and presentation rooms. Equipped with high linearity anti-fatigue rubber, the bass audio performance is free from distortion due to prolonged low-frequency operation. Treble circuit unit adopts dome Cortina design, extending the treble range of frequency

response and increasing the high quality acoustic performance. The traditional screw type terminal makes it easier for connection. A 5-step volume can be controlled by knob console on the back box. The adjustable installation brackets flexibly position the loudspeakers that meet the needs of different indoors sound field characteristics. The loudspeaker is CE and RoHS complied.

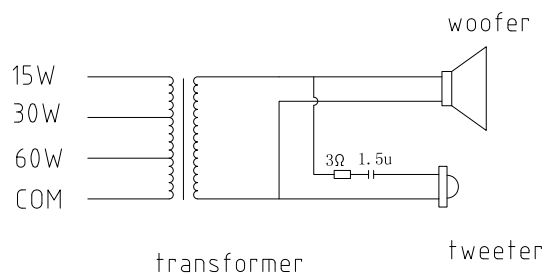
TECHNICAL SPECIFICATIONS

Model	L-PWP60A
Max power	80 W
Rated power	60 W
Power taps @ 100V	60 W / 30 W / 15 W
Power taps @ 70V	30 W / 15 W / 7.5 W
SPL at 60W / 1W (1k Hz, 1m)	110 dB / 92 dB
Frequency response (- 10 dB)	80 Hz - 20k Hz
Dispersion angle (1k Hz / -6 dB)	135°
Rated input voltage	100 V / 70 V / 8Ω
Rated impedance	167 Ω / 333 Ω / 667 Ω
Connector	Binding post terminals
Dimensions (W × H × D)	193 × 344 × 202 mm
Diameter of speaker	6.5" woofer, 1" tweeter
Weight	3.8 kg
Color	White (RAL9003)

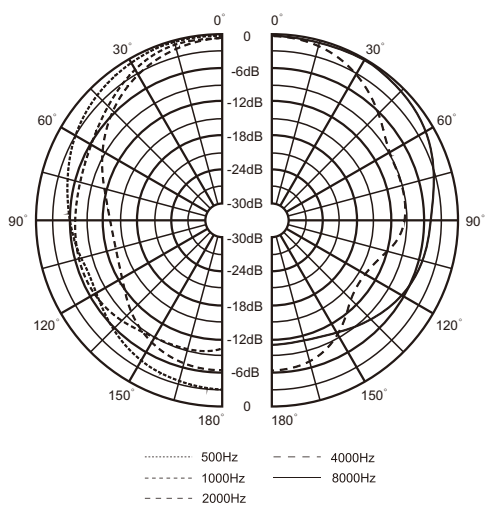
FREQUENCY RESPONSE



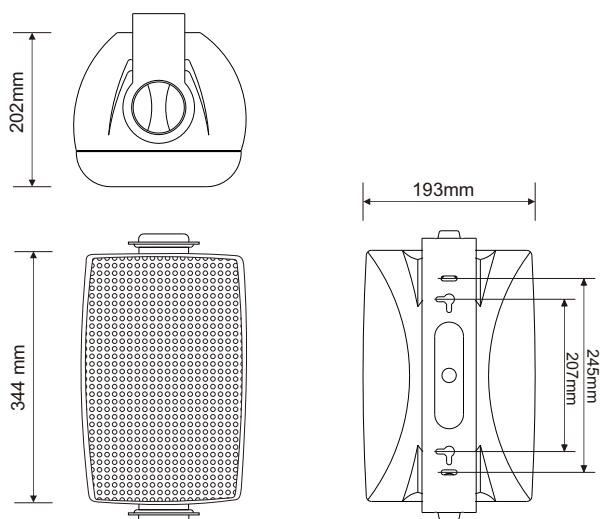
CIRCUIT DIAGRAM



POLAR DIAGRAM



THREE-VIEW DIAGRAM



Honeywell Audiovisuals

2100040595_EN2.7

Jan 2015

© 2015 Honeywell International Inc.

www.honeywellav.com

