

L-PWP80B Cabinet Loudspeaker

FEATURES

- Water-proof cone
- Powerful and intelligible audio performance
- Suitable in humid condition
- Stylish design
- Simple power setting
- High strength and fire resistant ABS enclosure
- Easy installation and cost effective
- CE and RoHS compliant



PRODUCT DESCRIPTION

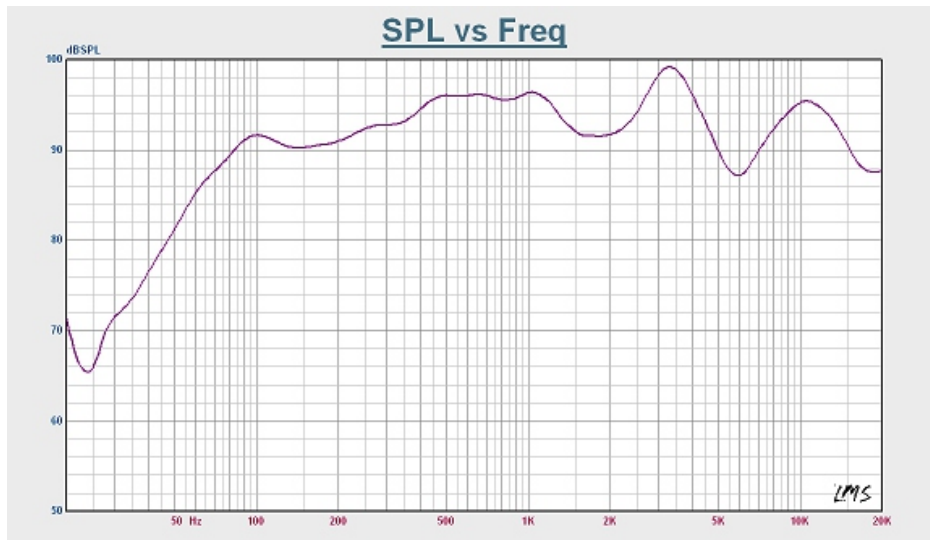
L-PWP80B is a versatile, 80W cabinet loudspeaker intended for use in general indoor and outdoor applications. The loudspeaker is ideal for use in theme bars, music restaurants, groceries, video shops, meeting rooms, office buildings, exhibition halls, gyms, and presentation rooms. The cabinet is available in charcoal or white color. Equipped with high linearity anti-fatigue rubber, the bass audio performance is free from distortion due to prolonged low-frequency operation. Treble circuit unit adopts dome

Cortina design, extending the treble range of frequency response and increasing the high quality acoustic performance. The traditional screw type terminal makes it easier for connection. A 5-step volume can be controlled by knob console on the back box. The adjustable installation brackets flexibly position the loudspeakers that meet the needs of different indoors' sound field characteristics. The loudspeaker is CE and RoHS compliant.

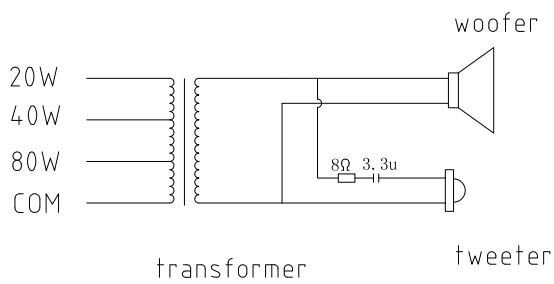
TECHNICAL SPECIFICATIONS

Model	L-PWP80B
Max power	100 W
Rated power	80 W
Power taps @ 100V	80 W / 40 W / 20 W
Power taps @ 70V	40 W / 20 W / 10 W
SPL at 80W / 1W (2k Hz, 1m)	110 dB / 93 dB
Frequency response (-10 dB)	60 Hz - 20k Hz
Dispersion angle (1k Hz / -6 dB)	115°
Rated input voltage	100 V / 70 V / 8Ω
Rated impedance	125 Ω / 250 Ω / 500 Ω
Connector	Binding post terminals
Dimensions (W × H × D)	275 × 455 × 261 mm
Diameter of speaker	8" woofer, 1" tweeter
Weight	7.5 kg
Color	Charcoal (RAL7021)

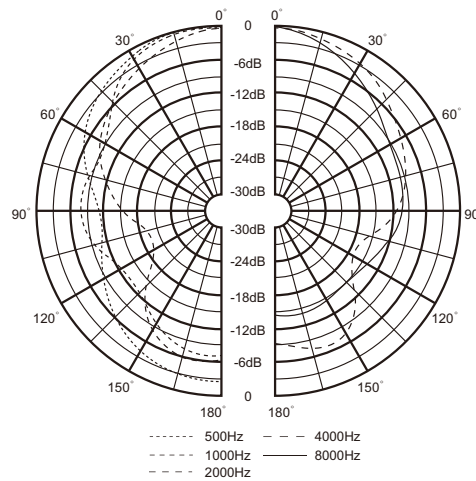
FREQUENCY RESPONSE



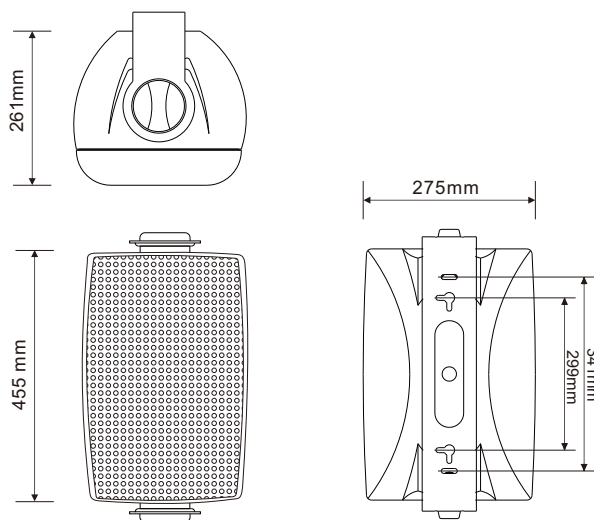
CIRCUIT DIAGRAM



POLAR DIAGRAM



THREE-VIEW DIAGRAM



Honeywell Audiovisuals

No. 257, Junye Road
 Guangzhou GETDD East
 510530 China
 Tel: +86 20 2839 9600
 Fax: +86 20 2820 8706
 www.honeywellav.com

2100040598_EN2.1
 Nov 2012
 © 2012 Honeywell International Inc.

Honeywell