

L-VBM20A/EN(C) L-VBM20A/EN Aluminum Bidirectional Projection Loudspeaker

FEATURES

- Intelligible voice and superior sound reproduction
- Ceiling or wall mount
- Meets virtually any outdoor requirements
- EN54-24 certified
- Complies with IP65 standard
- Available with or without capacitor(part number without “C”)



PRODUCT DESCRIPTION

L-VBM20A/EN is a high-performance 20W voice alarm bidirectional projection loudspeaker. It provides a broad frequency response range, low distortion and high sound pressure level for accurate and intelligible broadcast of evacuation messages and high quality sound reproduction. It can be used in indoor, outdoor, dry, or wet applications, providing

reliable operations over wide temperature and humidity ranges.

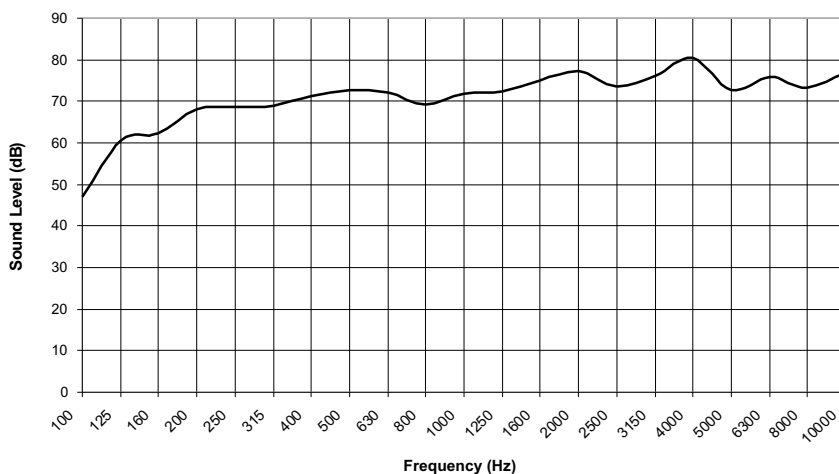
Bidirectional loudspeaker is the best choice for applications such as tunnel, gallery and shopping arcade.

This voice alarm bidirectional projection loudspeaker complies with BS 5859 part 8 and EN54 part 24.

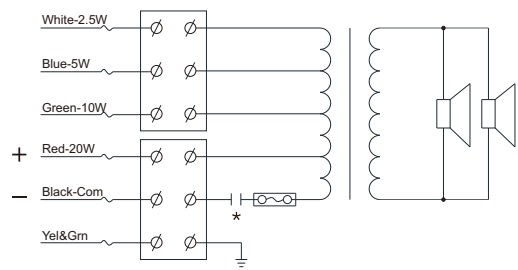
TECHNICAL SPECIFICATIONS

Model	L-VBM20A/EN(C)	L-VBM20A/EN
Max power	30W	
Rated power	20W (10W x 2)	
Power taps @ 100V	20W / 10W / 5W / 2.5W	
SPL at 20W / 1W (100 Hz-10 Khz,1m)	99dB / 87dB	
SPL at 20W / 1W (100 Hz-10 Khz,4m)	87dB / 75dB	
Frequency response(-10dB)	150 Hz - 20 KHz	
Rated input voltage	100 V / 70 V	
Rated impedance	500 Ω / 1K Ω / 2K Ω / 4K Ω	
Connection	Fire-resistant Cable	
Dimensions(D x L)	Φ140 mm x195 mm	
Weight	3.23 Kg	
Color	White (RAL9003)	
Material	Aluminum	
DC Blocking Capacitor	Yes (2.7uF) L-VBM20A/EN(C)	
	No L-VBM20A/EN	

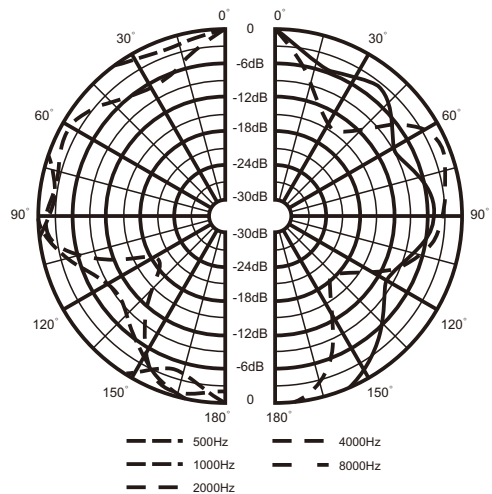
FREQUENCY RESPONSE



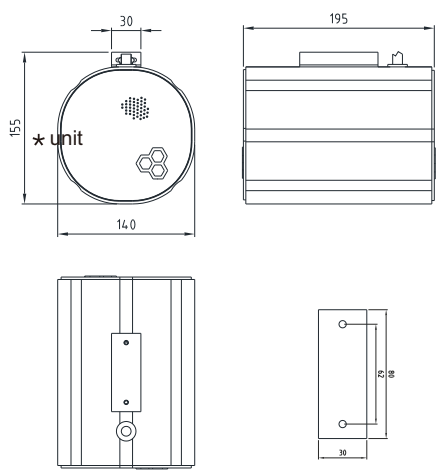
CIRCUIT DIAGRAM



POLAR DIAGRAM



THREE-VIEW DIAGRAM



Honeywell Audiovisuals

2100041734_EN1.4
 Oct 2014
 © 2014 Honeywell International Inc.
 www.honeywellav.com

