

## L-VCM6A/EN (C) L-VCM6A/EN 6.5" Metal Ceiling Loudspeaker with Metal Dome

### Features

- Excellent sound reproduction
- Fire resistant cover with fire dome
- EN54-24 certified
- Available with or without capacitor(part number without "C")



### PRODUCT DESCRIPTION

L-VCM6A/EN(C) Voice Alarm ceiling loudspeaker is designed for flush in suspended ceiling and ideal for even sound distribution. The loudspeaker has a built-in protection to ensure that, in the event of a fire, damage to the loudspeaker does not result in failure of the loudspeaker circuit which is connected. In this way, system integrity is maintained and ensuring loudspeakers connected in the same circuit in other areas can

still be used to inform people of the situation.

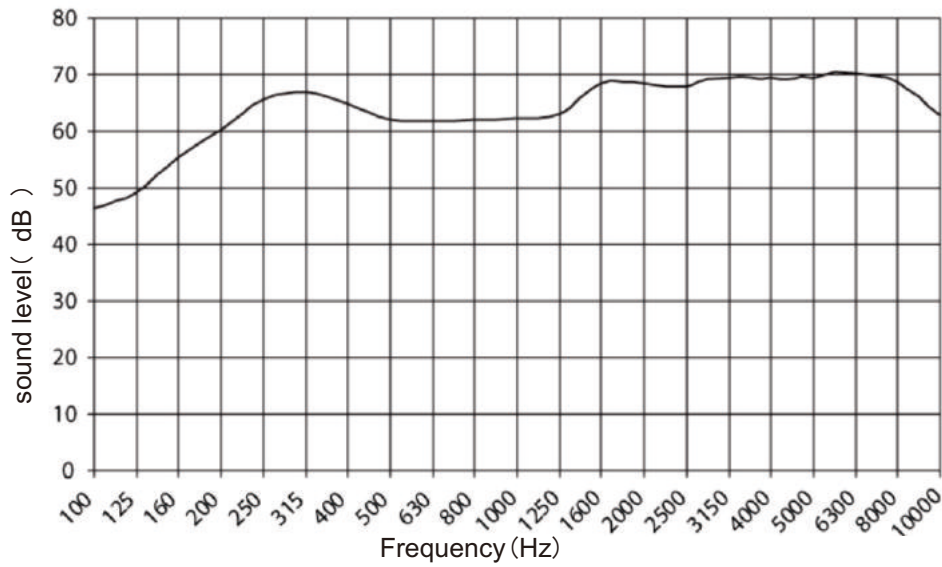
The loudspeaker can be easily installed by using the mounting spring attached. Likewise, the fire dome is mounted in the speaker openings on the ceiling panel by using the sliding brackets and the wing nuts as first-fix.

L-VCM6A/EN(C) is equipped with ceramic fuse and heat-resistant, high-temperature wiring to comply with EN54 part 24.

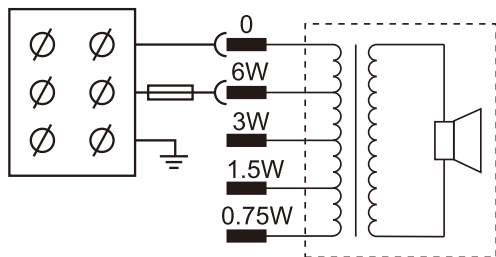
### TECHNICAL SPECIFICATIONS

Model	L-VCM6A/EN ( C ) L-VCM6A/EN
Max power	9 W
Rated power	6 W
Power taps @ 100V	6 W / 3 W / 1.5 W / 0.75 W
Power taps @ 70V	3 W / 1.5 W / 0.75 W / 0.375 W
SPL at 6W/1W (100 Hz-10 KHz, 1m)	99dB/91dB
SPL at 6W/1W (100 Hz-10 KHz, 4m)	87dB/79dB
Frequency range (-10dB)	170 Hz - 20k Hz
Dispersion angle(1KHz / -6dB)	170°
Rated input voltage	100 V / 70 V
Rated impedance	1.7k Ω / 3.3k Ω / 6.7k Ω / 13k Ω
Connection	Ceramic Terminal
Dimensions	Φ 222 mm × 129 mm
Hole cut-out size	Φ 195 mm
Diameter of speaker	6.5"
Weight	1.57 kg
Front grill color	White ( RAL9003 )
Dome color	Red ( RAL3000 )
Thermal Fuse	150°C
DC Blocking capacitor	Yes (2.2uF) L-VCM6A/EN(C)
	No L-VCM6A/EN

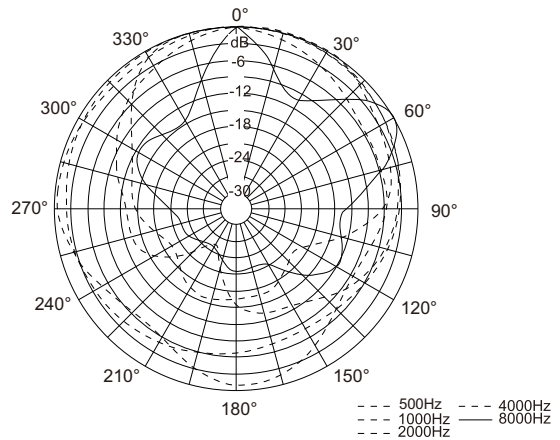
**FREQUENCY RESPONSE AT dBspl(20uPa)@4m,1W/41.2V INPUT,1/3 OCT SMOOTHING**



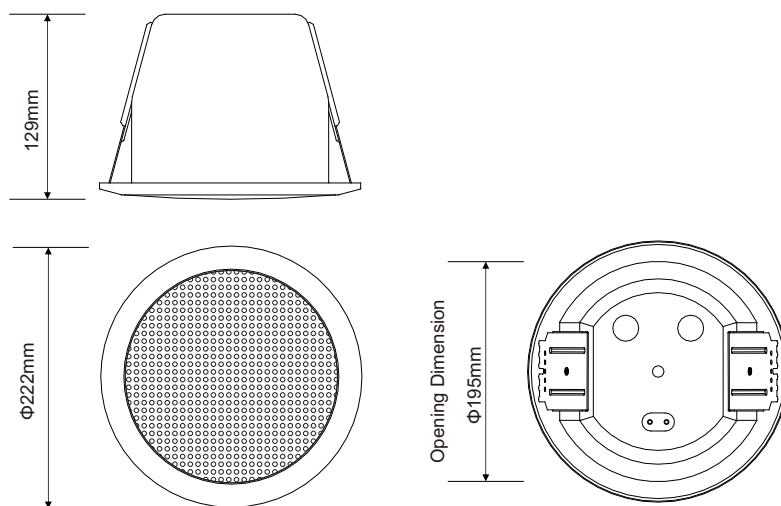
**CIRCUIT DIAGRAM**



**POLAR DIAGRAM**



**THREE-VIEW DIAGRAM**



**Honeywell Audiovisuals**

10299305\_EN2.4

Oct 2014

© 2014 Honeywell International Inc.

www.honeywellav.com

