

## L-VHP15A/EN Horn Loudspeaker

### Features

- Intelligible voice and superior sound reproduction
- Low-profile design blends easily into any outdoor applications
- Ergonomic and stylish design
- High-strength UV protective UL94V0 ABS housing
- EN54-24 certified



### PRODUCT DESCRIPTION

L-VHP15A/EN is a high-performance 15W voice alarm horn loudspeaker. It provides a broad frequency response range, low distortion and high sound pressure level for accurate and intelligible broadcast of evacuation messages and high quality sound reproduction. It can be used in outdoor, dry or wet applications, providing reliable oper-

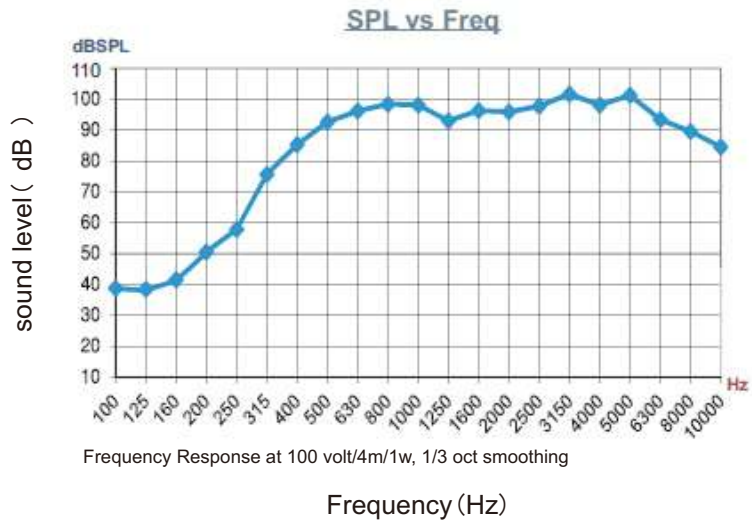
ations over wide temperature and humidity ranges. Its low-profile, light grey color design blends easily with most interiors into locations such as train station, harbors, factories, campuses and stadiums.

This horn loudspeaker complies with BS58 59 part 8 and EN54 part 24.

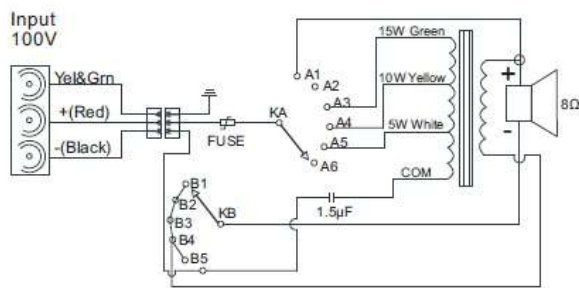
### TECHNICAL SPECIFICATIONS

Model	L-VHP15A/EN
Max power	25 W
Rated power	15 W
Power tapping	15W/10W/5W/8Ω
SPL at 15W/1W(100 Hz-10 kHz,1m)	117dB / 105dB
SPL at 15W/1W(100 Hz-10 kHz,4m)	105dB / 93dB
Frequency response (-10dB)	300 Hz - 16k Hz
Rated input voltage	100 V / 70 V
Rated impedance	667 Ω / 1000 Ω / 2000 Ω
Connection	Fire-resistant cable
Dimensions	Φ 213 mm × 265 mm
Weight	2.05kg
Color	Grey(RAL7035)
Speaker size	Compressed driver
Operating temperature	-25°C to +55°C
Storage temperature	-40°C to +70°C
Relative humidity	up to 95%

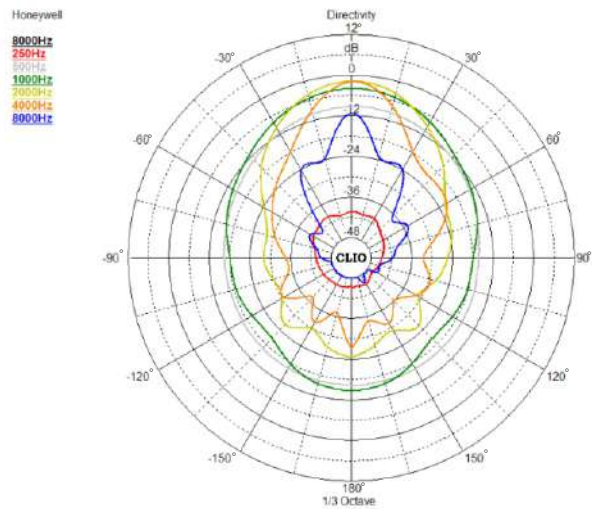
## FREQUENCY RESPONSE



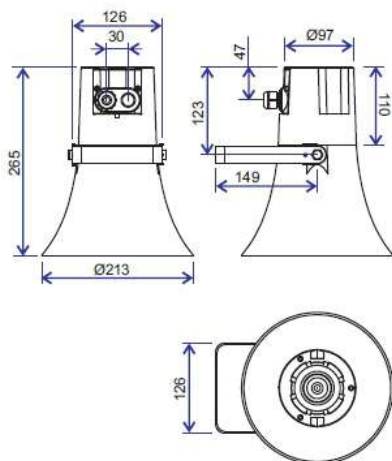
## CIRCUIT DIAGRAM



## POLAR DIAGRAM



## THREE-VIEW DIAGRAM



## Honeywell Audiovisuals

10299306\_EN1.0

Jan 2015

© 2015 Honeywell International Inc.

www.honeywellav.com

**Honeywell**