

L-VWM06A/EN(C) L-VWM06A/EN Metal Cabinet Loudspeaker

FEATURES

- Intelligible voice and superior sound reproduction
- Robust metal enclosure
- Harmonious with all indoor decoration
- Simple power setting
- Easy installation
- EN54-24 certified
- Available with or without capacitor(part number without “C”)



PRODUCT DESCRIPTION

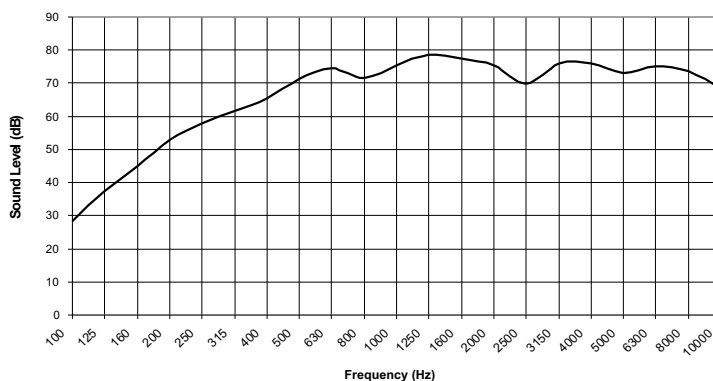
L-VWM06A/EN is a high-performance 6W voice alarm cabinet loudspeaker. It provides a broad frequency response range, low distortion and high sound pressure level for accurate and intelligible broadcast of evacuation messages and high quality sound reproduction. It's ideal for sound distribution in various types of

commercial buildings. Its low-profile, white color design blends easily with most interiors in locations such as hotels, conference rooms, cinemas, factories and exhibitions. This voice alarm outdoor column loudspeaker complies with BS 5859 part 8 and EN54 part 24.

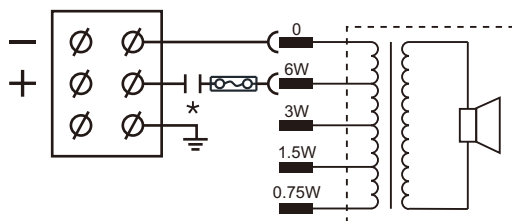
TECHNICAL SPECIFICATIONS

| Model | L-VWM06A/EN L-VWM06A/EN(C) |
|-------------------------------|--|
| Max power | 9 W |
| Rated power | 6 W |
| Power taps @ 100V | 6 W / 3 W / 1.5 W / 0.75 W |
| Power taps @ 70V | 3 W / 1.5 W / 0.75 W / 0.375 W |
| SPL at 6W/1W (100Hz-10KHz,1m) | 98 dB / 91 dB |
| SPL at 6W/1W (100Hz-10KHz,4m) | 86 dB / 79 dB |
| Frequency range (-10dB) | 300 Hz ~ 15 KHz |
| Rated input voltage | 100 V / 70 V |
| Rated impedance | 1.7K Ω / 3.3K Ω / 6.7K Ω / 13K Ω |
| Connection | Ceramic Terminal |
| Dimensions (W x H x D) | 170 mm x 170 mm x 63 mm |
| Diameter of speaker | 4" |
| Weight | 1.56 kg |
| Front grill color | White (RAL 9003) |
| Dome color | White (RAL 9003) |
| Thermal Fuse | 150°C |
| DC Blocking Capacitor | Yes (2.2uF) L-VWM06A/EN(C) |
| | No L-VWM06A/EN |

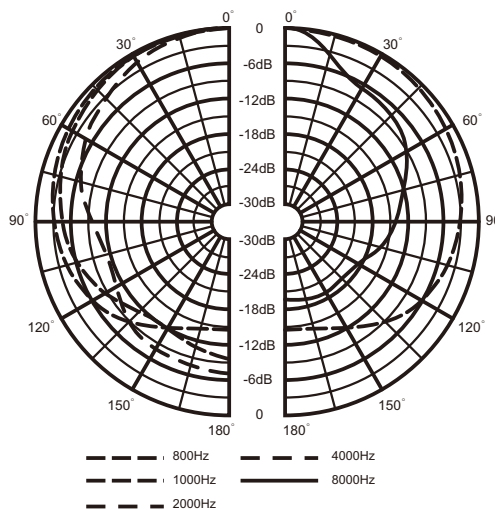
FREQUENCY RESPONSE



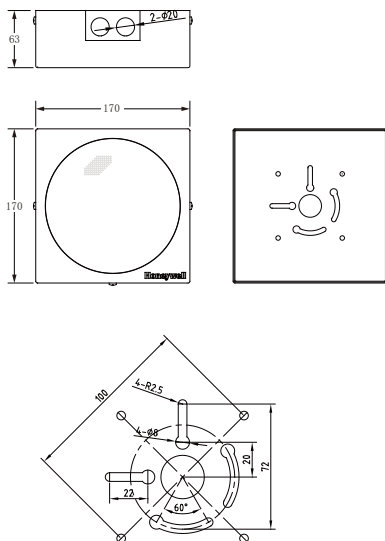
CIRCUIT DIAGRAM



POLAR DIAGRAM



THREE-VIEW DIAGRAM



Honeywell Audiovisuals

2100040728_EN1.3

Oct 2014

© 2014 Honeywell International Inc.

www.honeywellav.com

