

LM2-PCP06x Modular Ceiling Loudspeaker

FEATURES

- Superior voice and music reproduction
- Stylish design
- Easy for installation
- Excellent moisture-proof ability, complying to IP54 and IP55 Standard (LM2-PCP06C)
- Optional back dome for choice
- Comply with CE and RoHS standard



PRODUCT DESCRIPTION

LM2-PCP06 is a series of 6W economic modular ceiling loudspeaker, including three models for selection : direct ceiling mounted loudspeaker LM2-PCP06A , ceiling loudspeaker LM2-PCP06B (with ABS back dome) and moisture-proof ceiling loudspeaker LM2-PCP06C, adapting to different installation requirement. Its stylish design with pretty white cover makes it blends easily into all indoor decoration.

The series of loudspeaker features good moist and dust proof ability: integrated panel protecting the inside components from splashing water drops and ABS material preventing the enclosure from being rusted by the water on its surface.

Moisture-proof components are adopted for LM2-PCP06C to comply with IP54 standard. Besides, when used with back dome LM2-PM, the LM2-PCP06C features better moisture-proof ability , complying with IP55 standard, to be the good choice for damp environment such as sauna room, washroom and bathroom.

The optional back dome LM2-PM sharing the same style with the panel, can protect the loudspeaker from the harm of any dust and falling objects, and meanwhile prevent the sound to spread to adjacent area via the ceiling cavity.

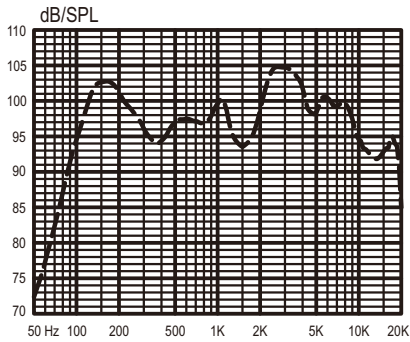
The panel and back dome adopt frame-proof ABS material, according to UL94V0 standard. All material comply with the CE and RoHS standard.

TECHNICAL SPECIFICATIONS

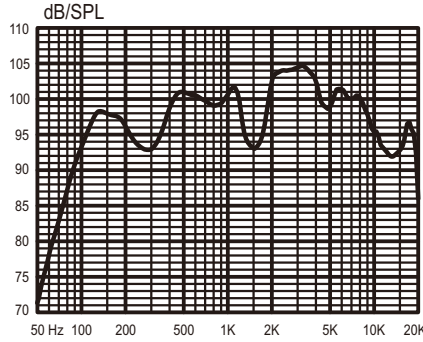
Model	LM2-PCP06A	LM2-PCP06B	LM2-PCP06C	LM2-PM
Max power	9 W			
Rated power	6 W			
Power taps @ 100 V	6 W / 3 W / 1.5 W			
Power taps @ 70 V	3 W / 1.5 W / 0.75 W			
SPL at 6 W / 1 W (120 Hz-18 KHz, 1 m)	99 dB / 91dB	99 dB / 91dB	97 dB / 89dB	
Frequency range(-10 dB)	80 Hz - 20 KHz			
Dispersion angle (1 KHz / -6 dB)	184 / 90			
Rated input voltage	100 V / 70 V			
Rated impedance	1.7 KΩ / 3.3 KΩ / 6.7 KΩ			
Connection	4-pole screw plastic block			
Dimensions(Ø x H)	Ø180 x 73 mm	Ø180 x 105 mm	Ø180 x 73 mm	Ø139 x 100 mm
Hole cut-out size	Ø160 mm			
Diameter of speaker	5"			
Material	ABS(UL94V0)			ABS(UL94V0)
Weight	0.64 kg	0.76 kg	0.64 kg	0.12 kg
Color	White (RAL9003)			White (RAL9003)
Certification	CE		CE / IP54 / IP55	

*LM2-PCP06C complies with IP 54 standard, and complies with IP 55 when tested with LM2-PM

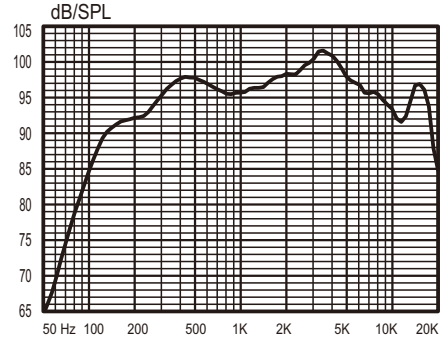
FREQUENCY RESPONSE



LM2-PCP06A

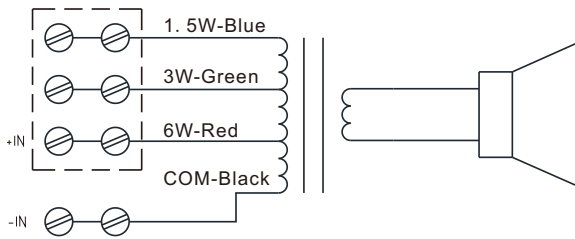


LM2-PCP06B

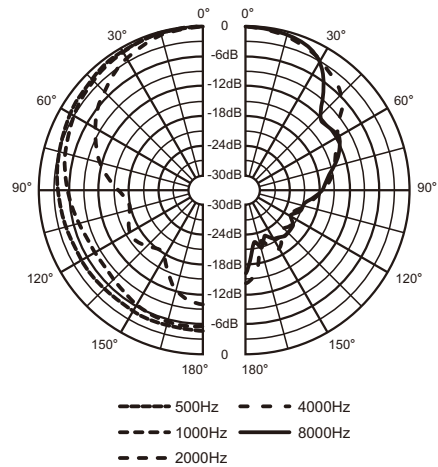


LM2-PCP06C

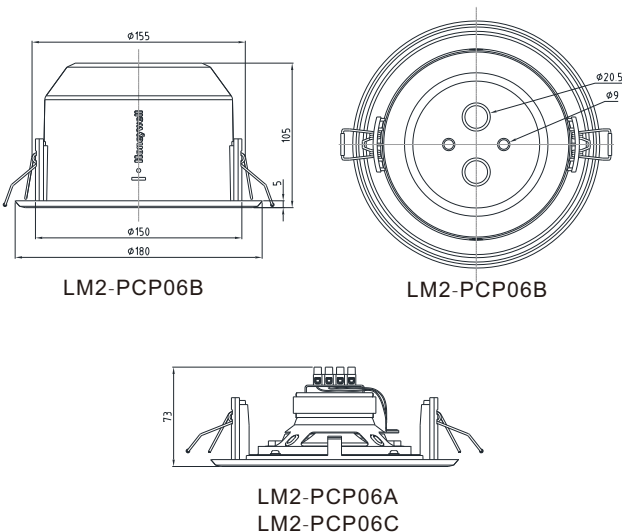
CIRCUIT DIAGRAM



POLAR DIAGRAM



THREE-VIEW DIAGRAM



Ordering Information

LM2-PCP06A

6 / 3 / 1.5 W Ceiling loudspeaker

LM2-PCP06B

6 / 3 / 1.5 W Ceiling loudspeaker with ABS dome

LM2-PCP06C

6 / 3 / 1.5 W Moisture-proof ceiling loudspeaker (without dome)

LM2-PM

White flame-proof in-ceiling ABS back dome, to protect LM2-PCP06A, LM2-PCP06C for in-ceiling mounting

Honeywell Audiovisuals

No. 257, Junye Road
Guangzhou GETDD East
510530 China
Tel: +86 20 2839 9600
Fax: +86 20 2820 8706
www.honeywellav.com

1020903014_EN1.8
Jul 2013

© 2013 Honeywell International Inc.

Honeywell